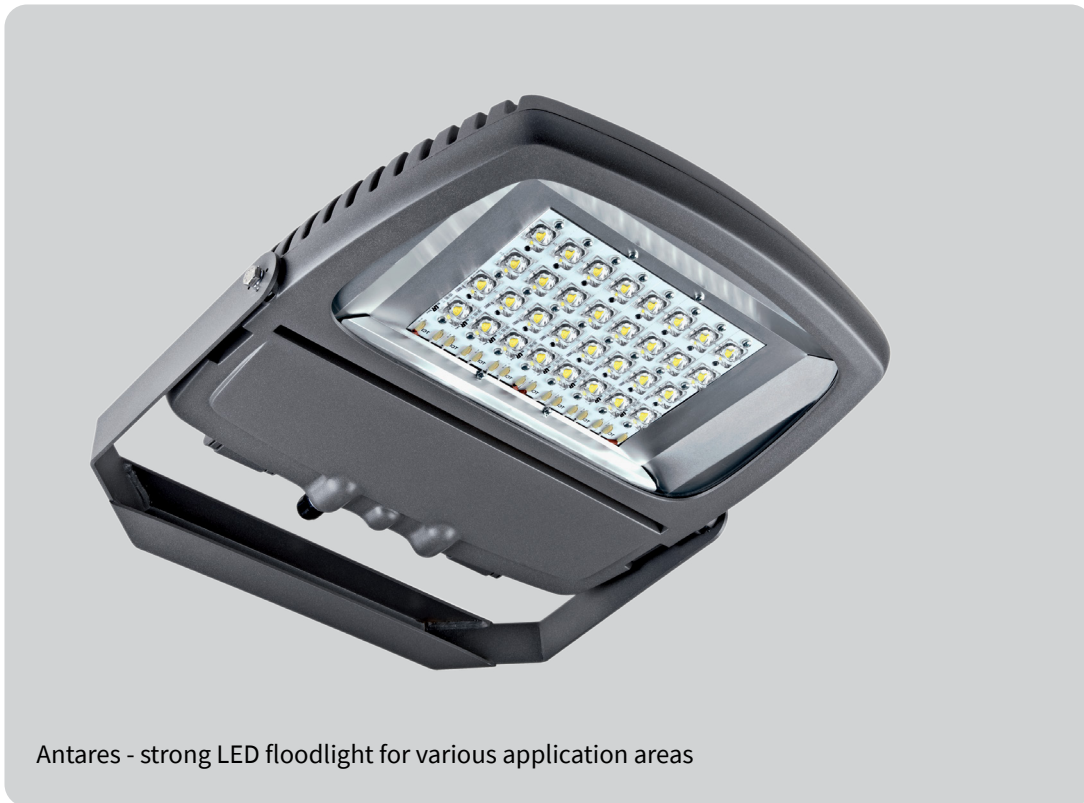
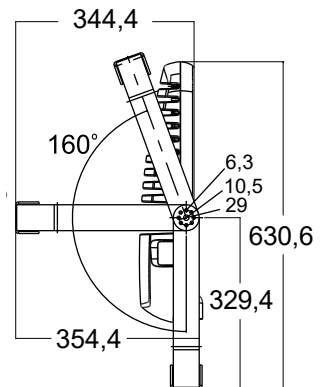
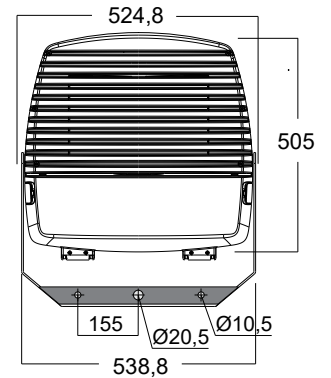


Antares



Antares - strong LED floodlight for various application areas



Description

Compact asymmetrical LED floodlight with high light output. Body of die-cast aluminium and 4 mm tempered safety glass. The fitting is supplied with a vent plugg to avoid condensation inside the fitting. The adjustable steel bracket is given a zinc treatment. The body and the bracket are powder painted in Anthracite RAL 7039. 8kv Surge Protection device is standard.

Application areas

Parking, larger areas and plants, harbour, industry etc.

Mounting

Up-standing, hanging and on wall.

Installation

Driver inside the fitting. M20x1,5 nipple.

Others

Available on request: Night reduction, lower effects, DALI and symmetrical light distribution. 2200K/3000K/4000K/5700K.

Fittings each. 16A circuit

	Type B	Type C
Antares 315W	3 pcs	6 pcs

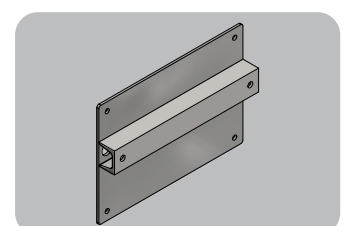
Colour index:	Ra >80
Colour tolerance:	MacAdam 3
Ambient temperature:	Ta -25°C/+45°C
Lifetime Ta25:	80.000h L90B10
Lifetime Ta40:	60.000h L80B10
Wind surface:	0,265 m ²



Plug for installation without opening the fixture



Pole bracket for Ø60mm pole



Support plate 25x35cm galv

Number	Type	Light source	Weight
119730	Antares AS	144LED 41030lm 315W 4000K	21,2 kg
Accessories:			
120627	Pole bracket Antares	Ø60mm	
124156	Support plate Antares	23x35cm galv.	