

# Elect flow 1



Elect flow - new generation floodlight

## Description

Body in die-cast aluminium with impact-resistant 5 mm flat glass. Powder coated in grey - RAL 7035, corrosion class C5. Smooth surface without visible cooling ribs. Elect is designed to provide maximum heat dissipation and a long lifetime. CLO - Constant Light Output as standard. The fitting complies with EN 62471 requirements for photo-biological safety. Integrated 6kV Surge Protection Device.

## Application Areas

Illumination of parking areas, small outdoor spaces, signage, facades, etc. Suitable for commercial buildings, hotels, shopping environments, and public spaces.

## Mounting

Designed for mounting in standing, hanging, or wall positions. Supplied with M20 cable gland (6-12mm) and blind plug. Comes with a 2m pre-installed FQQ 2x1.5mm<sup>2</sup> cable.

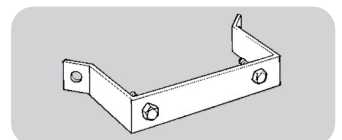
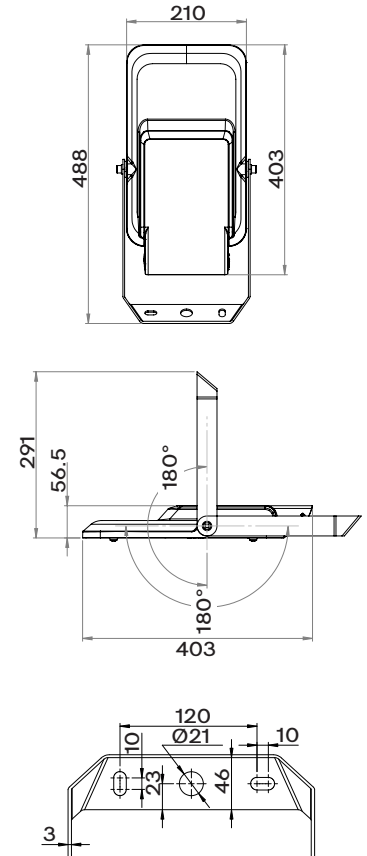
## On Request

- 10kV Surge Protection Device.
- Alternative power or performance configurations.
- Other cable lengths.
- Night reduction settings.
- Zhaga connector.
- 4000K color temperature.

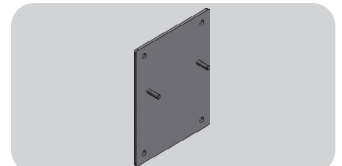
## Light Source

Colour rendering	3000K Ra >70
Colour tolerance	MacAdam 3
Lifetime	100 000h L90B10
Wind surface	0.032 m <sup>2</sup>

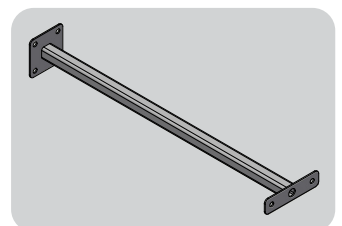
System efficiency: up to 150 lm/W



Corner bracket



Support plate steel facades or other weak facades.



Wall arm

DEFA no.	Type	Light source	Weight (kg)
128816	Elect flow 1	16LED 4200lm 28W 730	3.8kg
128817	Elect flow 1	24LED 9200lm 65W 730	3.8kg

## Accessories:

128901	10kV Surge Protection Device with LED indicator
121462	Corner bracket
119802	Support plate 18,5 x 25 cm galv.
129025	Wall arm L=75 cm